

SPECIFICATION

A: MATERIAL:

- 1.BODY: NYLON 66
- 2.TERMINAL: Cu PLATED Sn

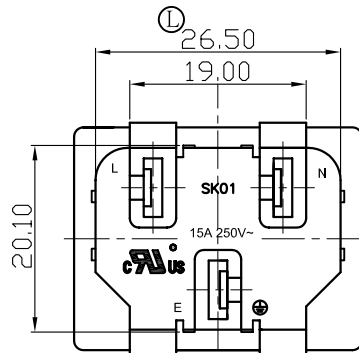
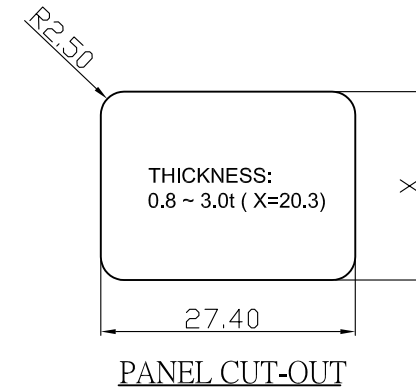
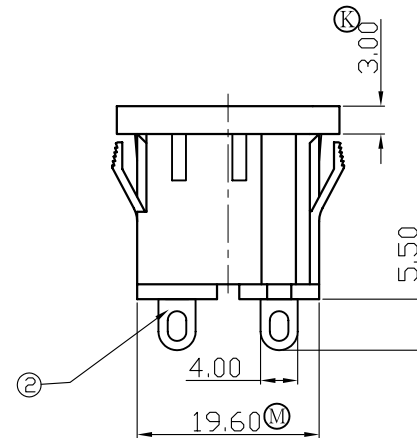
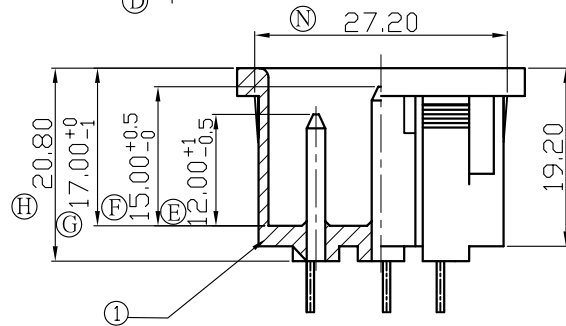
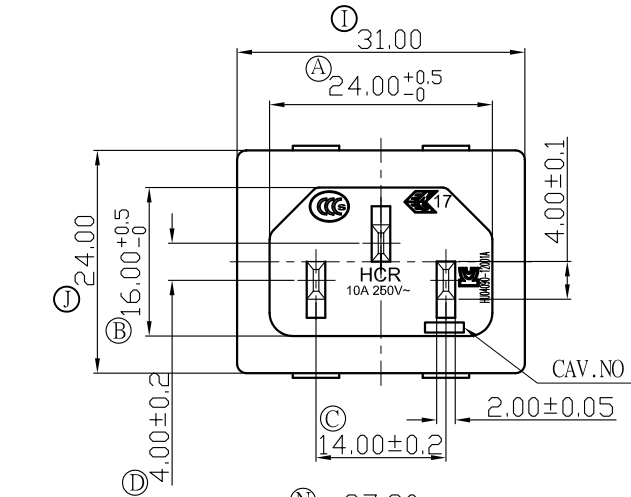
B: CHARACTERISTICS:

- 1.RATING: 15A 250V~(C-ULus)
10A 250V~(ENEC & CCC & KC)
- 2.INSULATION RESISTANCE: 100MΩ MIN, AT 500VDC
- 3.ELECTRIC STRENGTH : 3000 VAC/1MIN, LEAKAGE CURRENT UNDER 0.5mA

C: APPROVALS: C-ULus, ENEC & CCC & KC

D: MATERIAL USED MUST BE COMPLY WITH HQI-0010

E: CAN MEET RoHS



TOLERANCES UNLESS OTHERWISE 未指定容許差尺寸之公差	
BASIC DIMENSIONS TOLERANCES	
UP TO 10 (10以下)	±0.15
ABOVE 10 TO 30(10~30)	±0.3
ABOVE 30 TO 100(30~100)	±0.5
ANGULAR DIMENSIONS(角度)	±5°
DIMENSION UNIT	mm

東莞市華之力電子有限公司 DONGGUAN HCR ELECTRONICS CO., LTD.

NO	DATE	REVISION DESCRIPTION	REVISION	DRAWN	APPROVED	繪圖 DRAWN BY	日期 DATE	路徑 DWG NO	投影法 PROJECT	機型 PART NAME	料號 ITEM NO
2						AaronJin	20130918	20130918	第一角	INLET SOCKET	
1						RZTang	20130918	20130918	1:1	型號 PART NO	SK01
0	2013/09/18	1.新制訂	A0	WeiChen	AaronJin	WeiChen	20130918	20130918	E:\成品圖 \SK01\800162	料號 ITEM NO	SK01-6101060621